

WAYNE COUNTY REAL PROPERTY TAX SERVICE



16 WILLIAM STREET
LYONS, NEW YORK
www.co.wayne.ny.us
UNDER AUTHORITY
OF
WAYNE COUNTY BOARD OF SUPERVISORS

LEGEND

TOWN LINE	-----	ROAD OR RAILROAD ENDRY.	-----
VILLAGE LINE	-----	COUNTY LINE	-----
SECTION MAP LIMIT	-----	SEWER DISTRICT LINE	----- S
GREAT LOT LINE	-----	LIGHTING DISTRICT LINE	----- L
SCHOOL DISTRICT LINE	----- SCH	FIRE DISTRICT LINE	----- F
WATER DISTRICT LINE	----- W	DENOTES COMMON OWNER	↖
GREAT LOT NO.	①	CALCULATED ACREAGE 7.5 A (C)	
PROPERTY LINE	-----	DEED ACREAGE 17.5 A	
ORIGINAL LOT LINE	-----	SCALED DIMENSION 452 (S)	
RAILROAD	-----	DEED DIMENSION 123.8 (D)	
STREAM OR DITCH	-----	SECTION & MAP NO. 60118-17	
COORDINATE GRID	+-----	CENTERLINE DIMENSION 671.12 C	

SPECIAL DISTRICTS

SCHOOL	LYONS CENTRAL SCHOOL DISTRICT
FIRE	LYONS FIRE DISTRICT
WATER	FORMER VILLAGE WATER DISTRICT LYONS TOWN CENTER WATER DISTRICT
SEWER	FORMER VILLAGE SEWER DISTRICT LYONS TOWN CENTER SEWER DISTRICT
LIGHTING	FORMER VILLAGE LIGHTING DISTRICT
OTHER	FORMER VILLAGE DEBT OBLIGATION DISTRICT

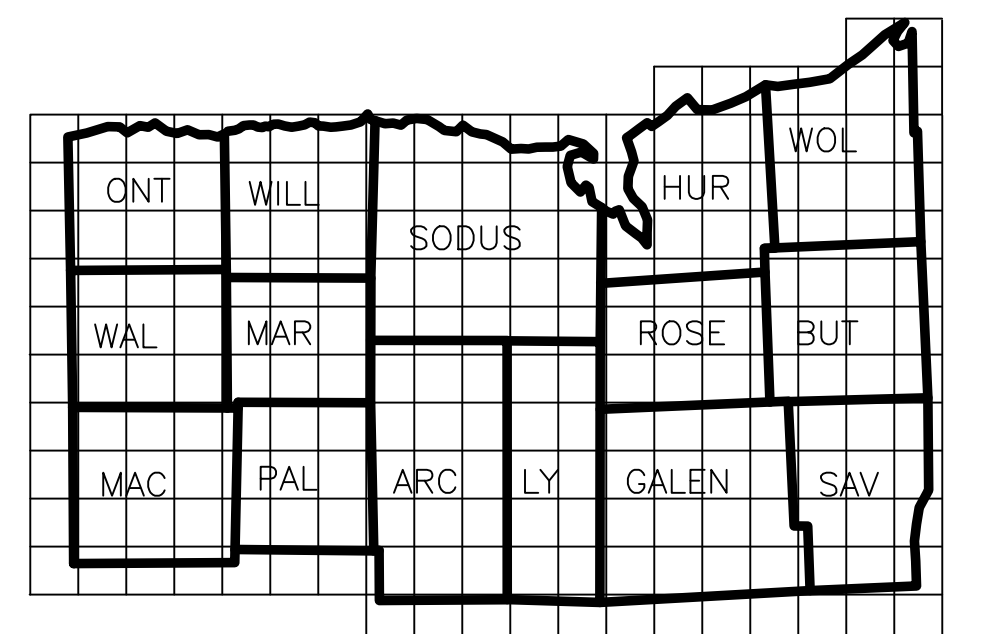
FOR TAX PURPOSES ONLY NOT TO BE USED FOR CONVEYANCE

All tax maps are returned to the New York State Plane Coordinate System using the 1983 North American Datum (NAD 83). Property lines have been registered to the 1989 Wayne County Photogrammetric Base Map, and as a result, dimensions and acreage may vary from legal descriptions. For complete legal descriptions or conveyances, please refer to the appropriate deeds and surveys.

NOTICE OF DISCLAIMER

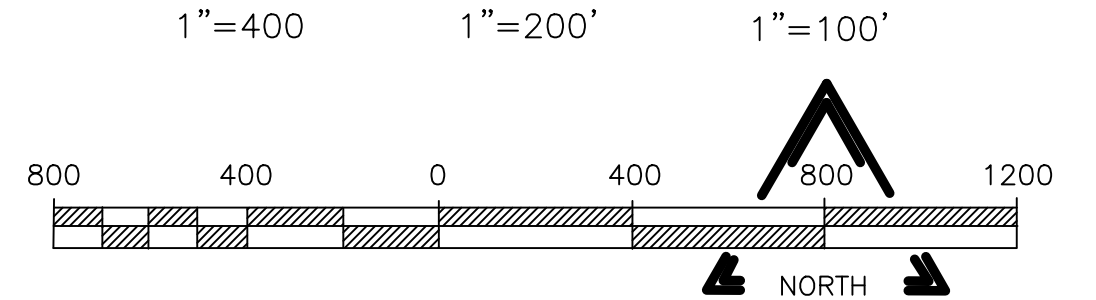
This map represents a compilation of graphical and textual information from deeds and surveys, photogrammetric base maps, and digital conversion of hand drawn plat maps. Errors and omissions do occur from each of these sources, each source represents a large number of records and originators of information. As a practical matter, the County does not warrant the accuracy or completeness of the information portrayed. The use of these maps agree to accept the data, as is, with the full knowledge that errors and omissions may occur, and to hold harmless the County for any damages that may result from an inappropriate use of these maps.

LOCATION MAP



SECTION BREAKDOWN

05	06	07	08
09	10	11	12
13	14	15	16
17	18	19	20



REAL PROPERTY MAP WAYNE COUNTY, NEW YORK

THESE MAPS ARE COMPILED FOR TAX PURPOSES ONLY

MAP DATE	SECTION NO.	MAP NO.
	70111	08

