

# WAYNE COUNTY REAL PROPERTY TAX SERVICE



16 WILLIAM STREET  
LYONS, NEW YORK  
www.co.wayne.ny.us  
UNDER AUTHORITY  
OF  
WAYNE COUNTY BOARD OF SUPERVISORS

## LEGEND

TOWN LINE	-----	ROAD OR RAILROAD BNDY.	-----
VILLAGE LINE	-----	COUNTY LINE	-----
SECTION MAP LIMIT	-----	SEWER DISTRICT LINE	---S---
GREAT LOT LINE	-----	LIGHTING DISTRICT LINE	---L---
SCHOOL DISTRICT LINE	---SCH---	FIRE DISTRICT LINE	---F---
WATER DISTRICT LINE	---W---	DENOTES COMMON OWNER	✓
GREAT LOT NO.	②	CALCULATED ACREAGE 7.5 A (C)	
PROPERTY LINE	-----	DEED ACREAGE 17.5 A	
ORIGINAL LOT LINE	-----	SCALED DIMENSION 452 (S)	
RAILROAD	-----	DEED DIMENSION 123.0 (D)	
STREAM OR DITCH	-----	SECTION & MAP NO. 60118-17	
COORDINATE GRID	+	CENTERLINE DIMENSION 671.12 C	

## SPECIAL DISTRICTS

SCHOOL	NORTH-ROSE WOLCOTT CENTRAL SCHOOL DISTRICT
FIRE	WOLCOTT FIRE DISTRICT
WATER	VILLAGE OF WOLCOTT WATER DISTRICT
SEWER	VILLAGE OF WOLCOTT SEWER DISTRICT
LIGHTING	VILLAGE OF WOLCOTT LIGHTING DISTRICT

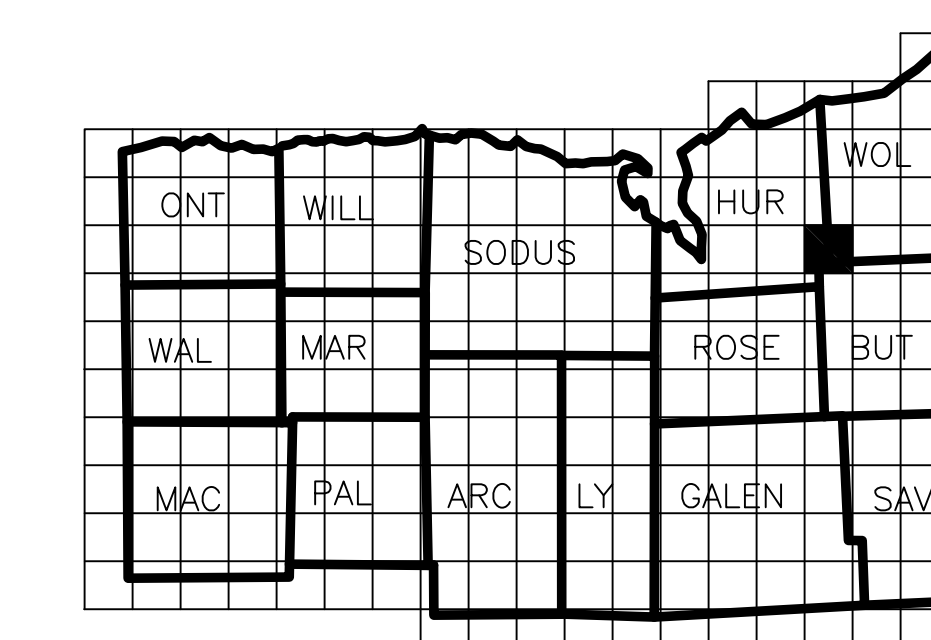
## FOR TAX PURPOSES ONLY NOT TO BE USED FOR CONVEYANCE

All tax maps are referenced to the New York State Plane Coordinate System using the 1983 North American Datum (NAD 83). Property lines have been registered to the 1989 Wayne County Photogrammetric Map and, as a result, dimensions and acreage may vary from legal descriptions. For complete legal descriptions or conveyances, please refer to the appropriate deeds and surveys.

## NOTICE OF DISCLAIMER

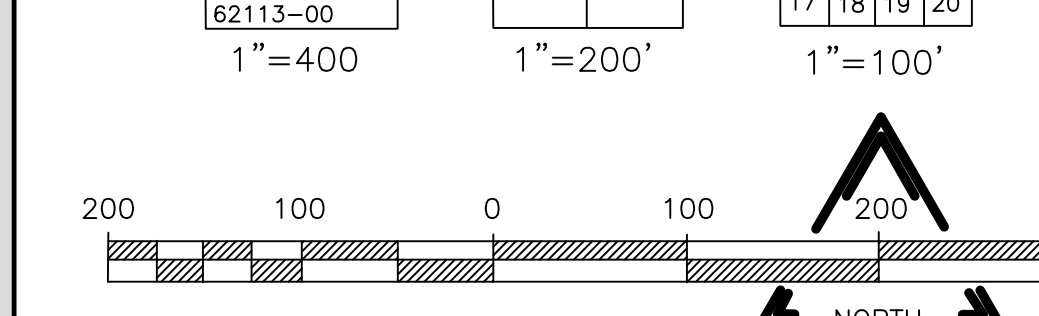
This map represents a compilation of graphical and textual information from deeds and surveys, photogrammetric base maps, and digital conversion of hand drawn maps. Errors and omissions can occur from each of these sources, each source represents a particular number of records and originality of information. As a practical matter, the County does not warrant the accuracy or completeness of the information portrayed. The use of these maps is at the user's risk. The County disclaims any liability for damages that may result from an inappropriate use of these maps.

## LOCATION MAP



## SECTION BREAKDOWN

01	02	05	06	08
03	04	09	10	11
		13	14	15
		17	18	19
		20		



## REAL PROPERTY MAP WAYNE COUNTY, NEW YORK

THESE MAPS ARE COMPILED FOR TAX PURPOSES ONLY

MAP DATE	SECTION NO.	MAP NO.
	75117	07

