

# WAYNE COUNTY

## REAL PROPERTY TAX SERVICE



16 WILLIAM STREET  
LYONS, NEW YORK  
www.co.wayne.ny.us  
UNDER AUTHORITY  
OF  
WAYNE COUNTY BOARD OF SUPERVISORS

### LEGEND

TOWN LINE	ROAD OR RAILROAD ENDRY.
VILLAGE LINE	COUNTY LINE
SECTION MAP LIMIT	SEWER DISTRICT LINE
GREAT LOT LINE	LIGHTING DISTRICT LINE
SCHOOL DISTRICT LINE	FIRE DISTRICT LINE
WATER DISTRICT LINE	DENOTES COMMON OWNER
GREAT LOT NO.	CALCULATED ACREAGE 7.5 A (C)
PROPERTY LINE	DEED ACREAGE 17.5 A
ORIGINAL LOT LINE	RAILROAD 432 (S)
RAILROAD	DEED DIMENSION 123.8 (D)
STREAM OR DITCH	SECTION & MAP NO. 60118-17
COORDINATE GRID	CENTERLINE DIMENSION 671.12 (C)

### SPECIAL DISTRICTS

SCHOOL	CLYDE-SAVANNAH CENTRAL SCHOOL DISTRICT
FIRE	CLYDE FIRE DISTRICT
WATER	
SEWER	
LIGHTING	

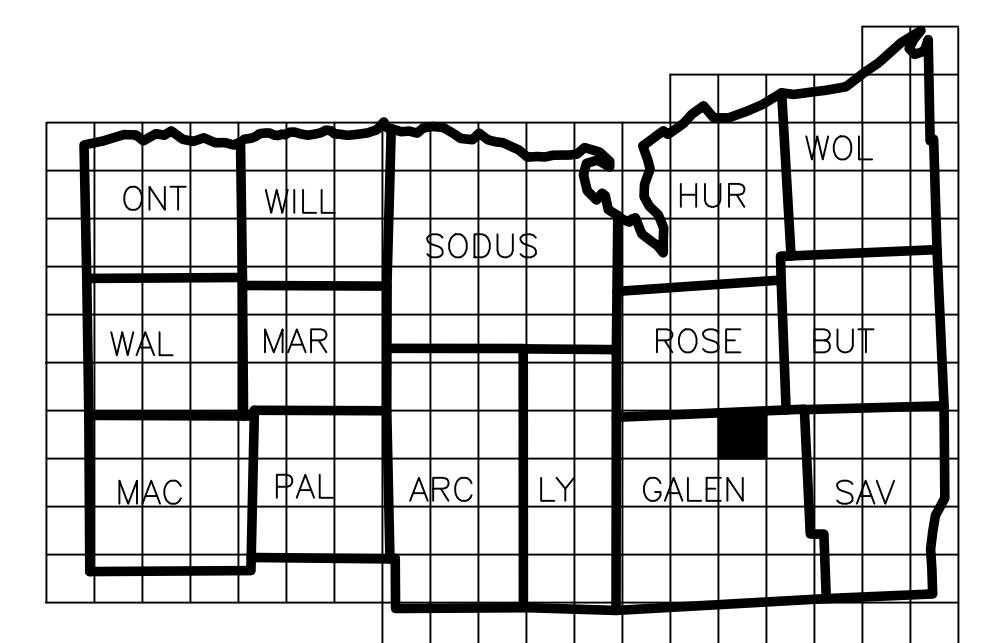
### FOR TAX PURPOSES ONLY NOT TO BE USED FOR CONVEYANCE

All tax maps are referenced to the New York State Plane Coordinate System using the 1885 North American Datum (NAD 83). Property lines have been registered to the 1885 Wayne County Platogram under the State Map Act, and, as a result, dimensions and acreage may vary from legal descriptions. For complete legal descriptions or conveyance, please refer to the appropriate deeds and surveys.

### NOTICE OF DISCLAIMER

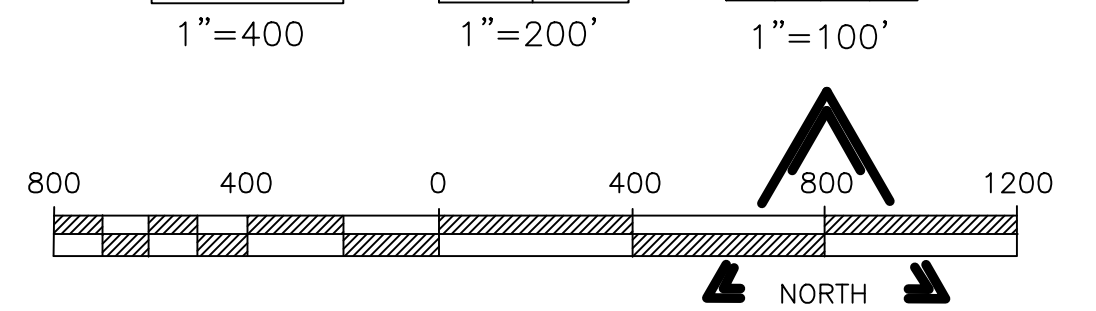
This map represents a compilation of graphical and textual information from deeds and surveys, photographs, base maps, and digital conversion of hand drawn maps. Errors and omissions can occur from each of these sources; each source represents a large number of records and origins of information. In a practical matter, the County does not warrant the accuracy or completeness of the information portrayed. The end user of these maps agree to accept the data "as is" with the full knowledge that errors and omissions may exist, and to hold harmless the County for any damages that may result from an inappropriate use of these maps.

### LOCATION MAP



### SECTION BREAKDOWN

01	02	05	06	07	08
09	10	11	12	15	16
13	14	15	16	17	18
17	18	19	20		



### REAL PROPERTY MAP WAYNE COUNTY, NEW YORK

THESE MAPS ARE COMPILED FOR TAX PURPOSES ONLY

MAP DATE	SECTION NO.	MAP NO.
	74113	00

